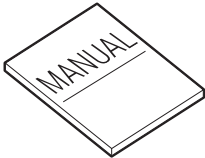
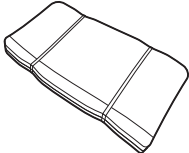
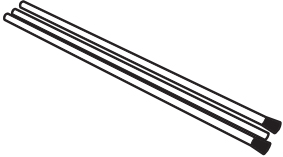
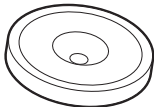
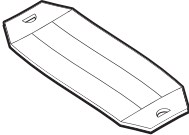
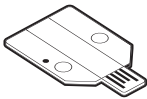
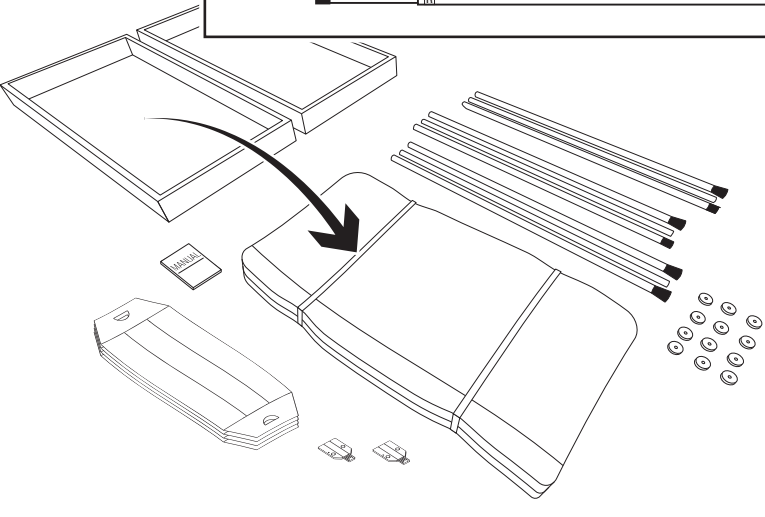
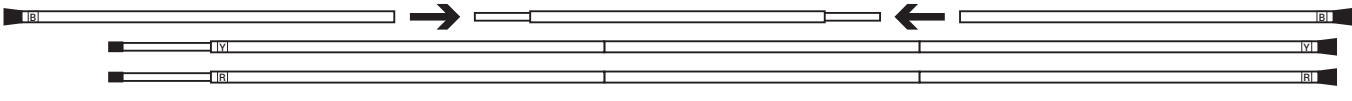


	<b>20 ft</b> pw / hc / ot	<b>40 ft</b> pw / hc / ot	<b>45 ft</b> pw / hc / ot
	1x	1x	1x
	1x	1x	1x
	3x	3x	3x
	6x	12x	12x
	2x	4x	4x
	2x	2x	2x

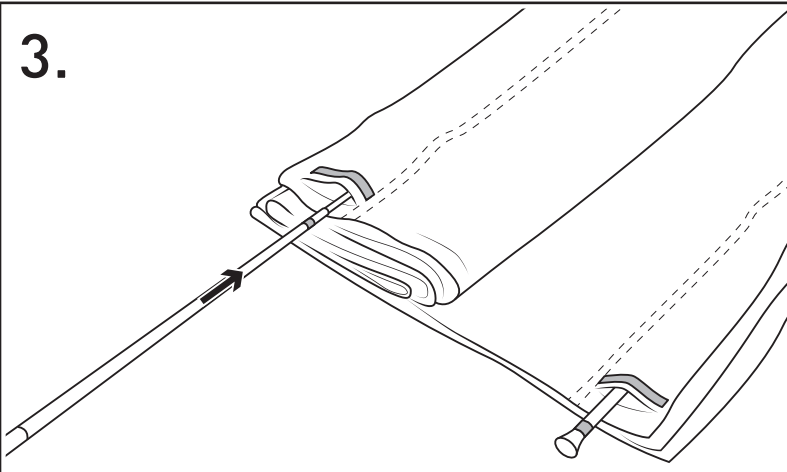
1.



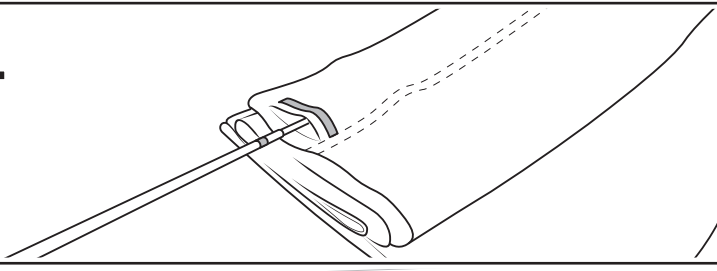
2.



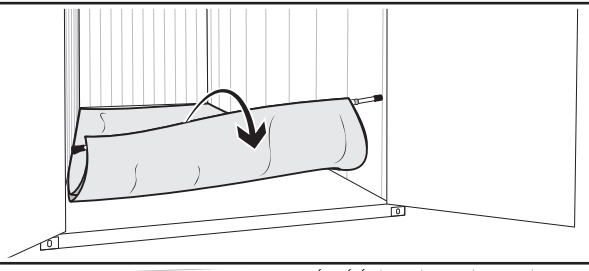
3.



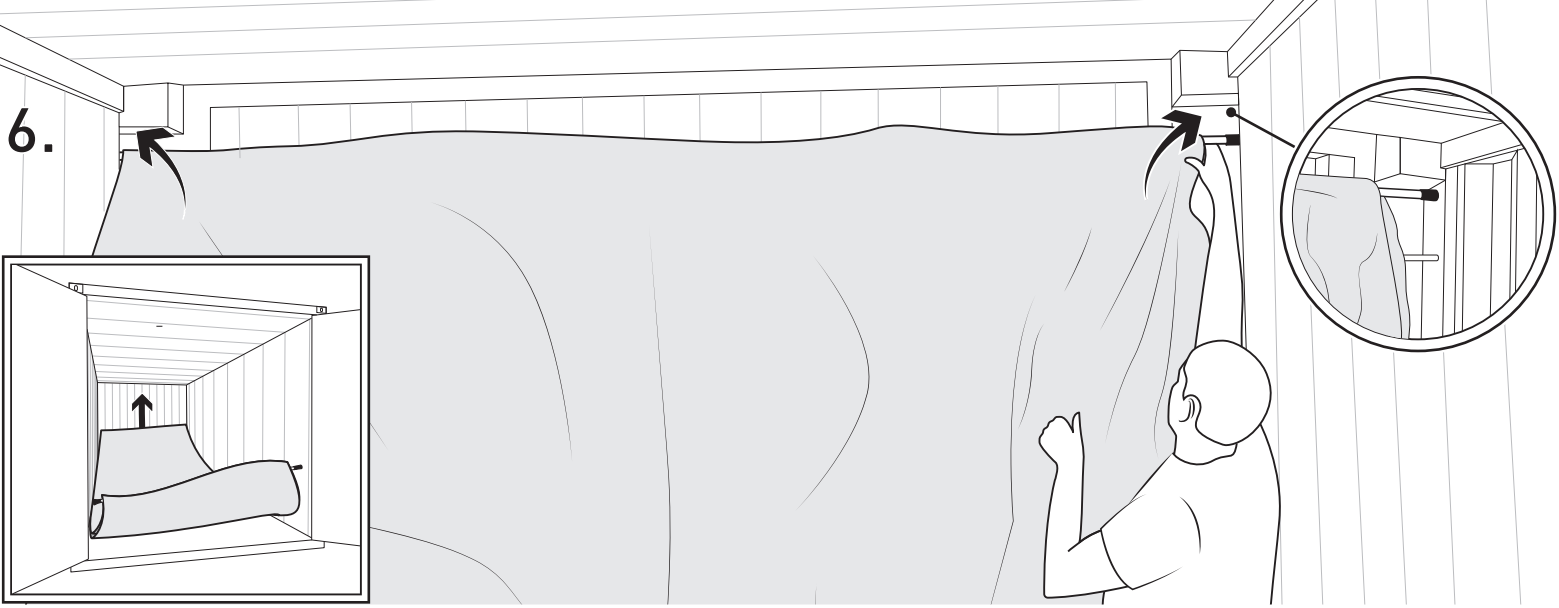
4.



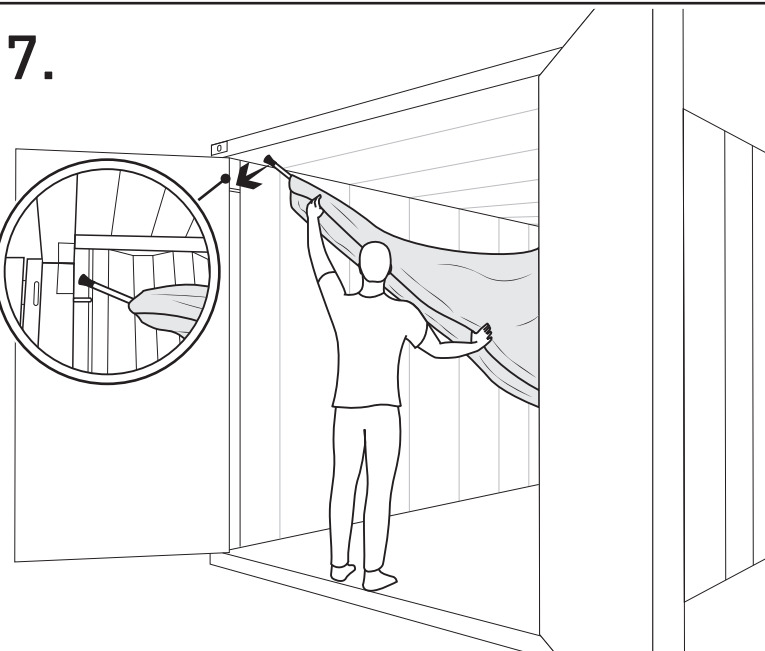
5.



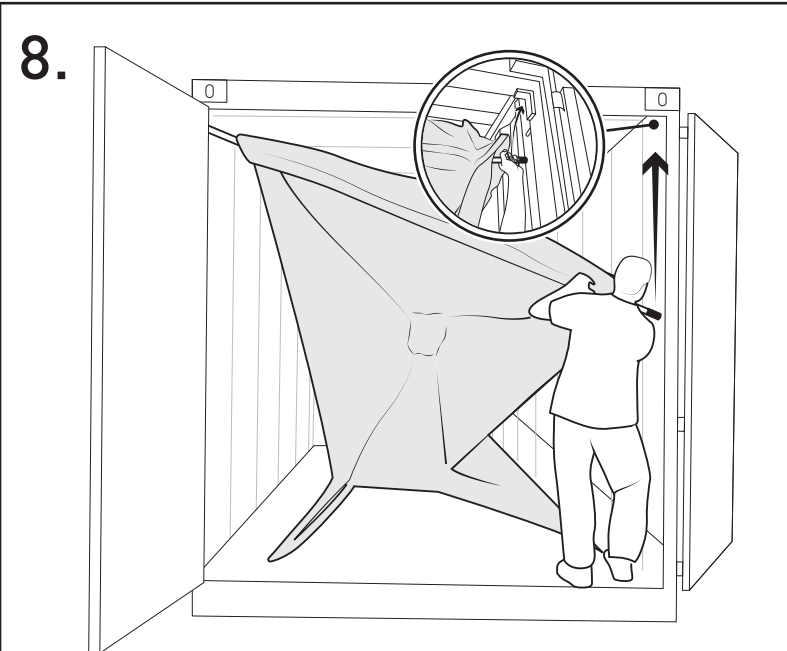
6.



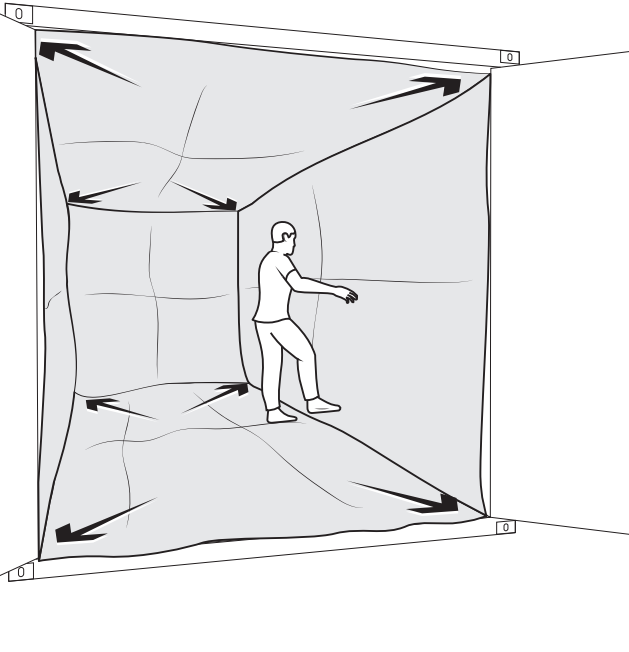
7.



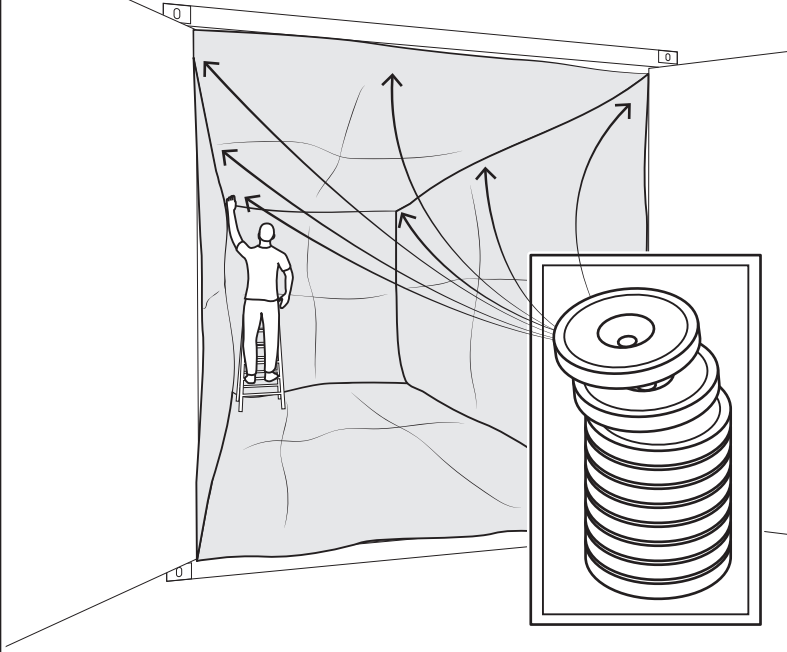
8.



9.



10.

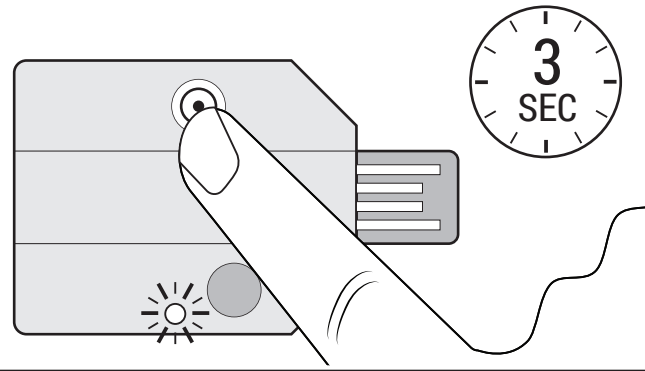


**i**

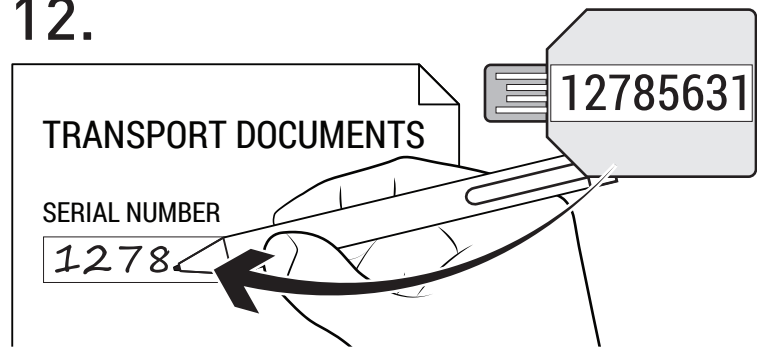
If the liner is busted, close it with tape.

Use a stick or piece of wood to push the bars as high as possible (if necessary).

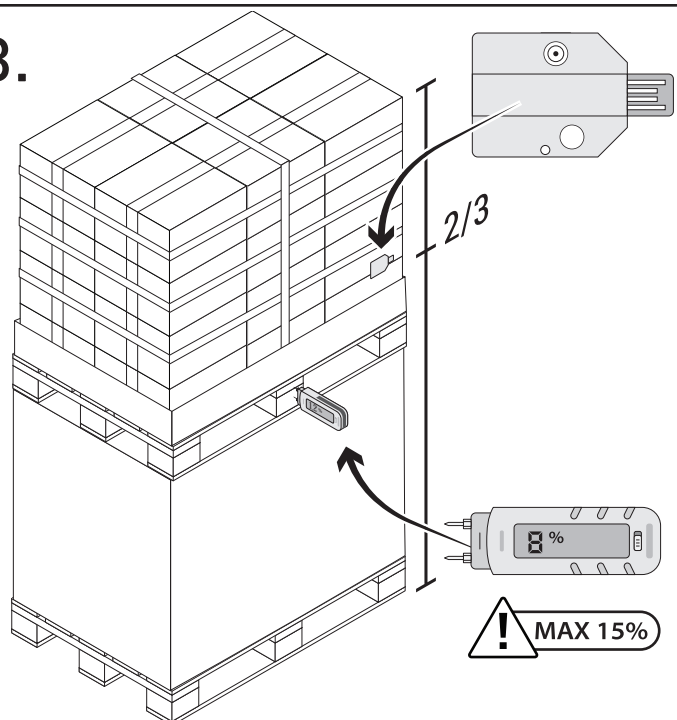
11.



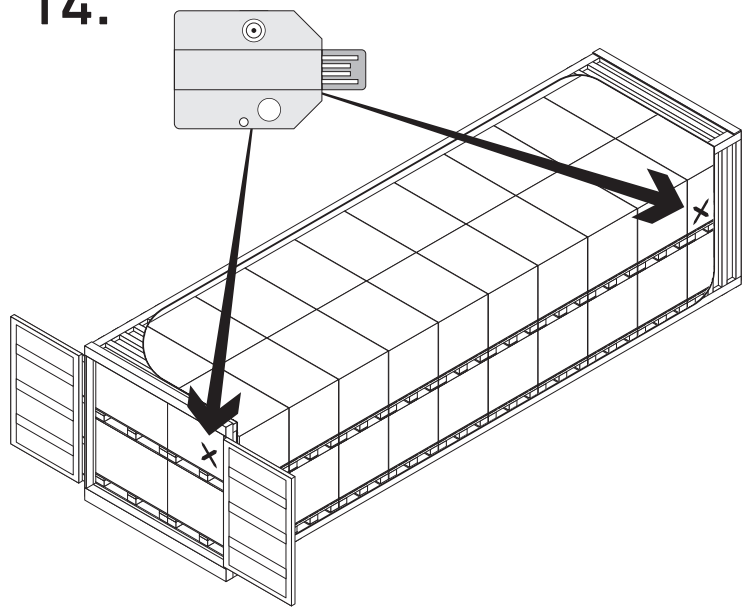
12.



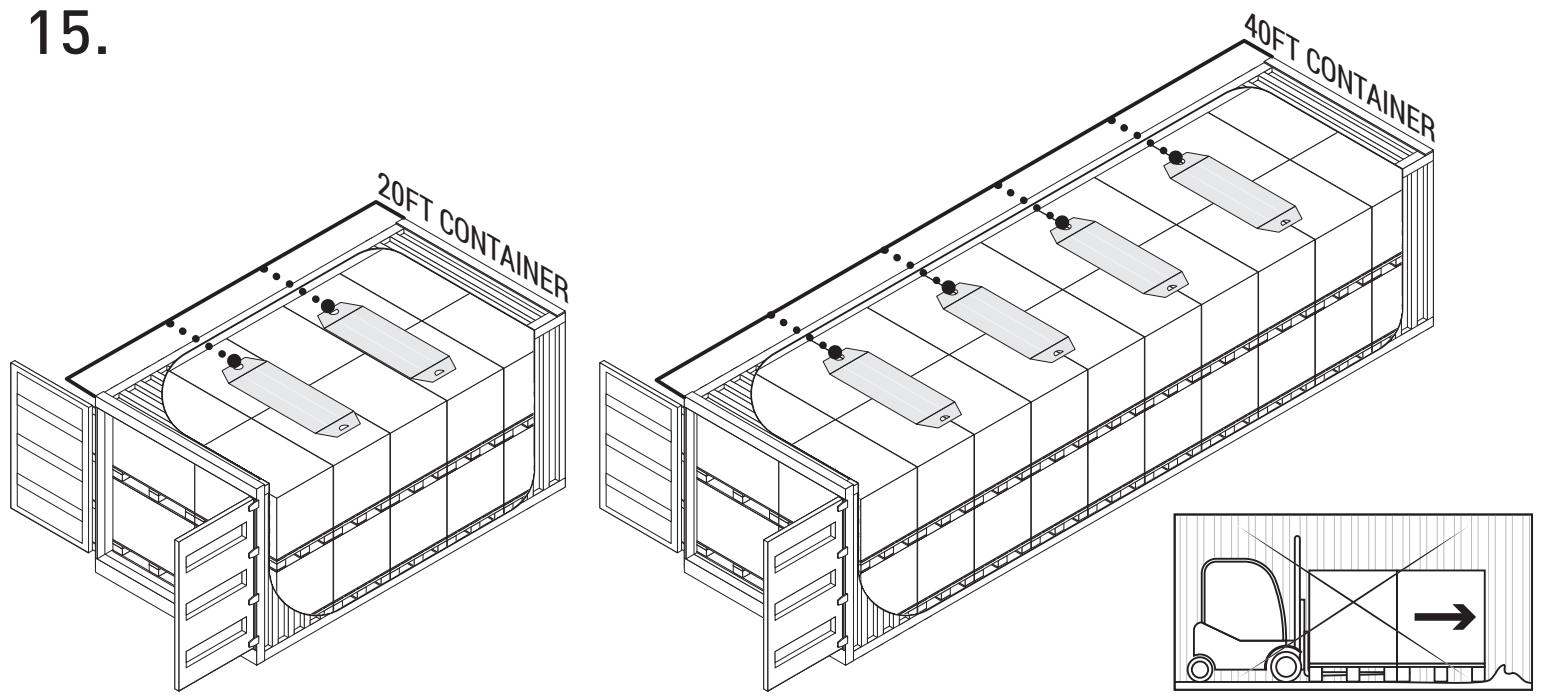
13.



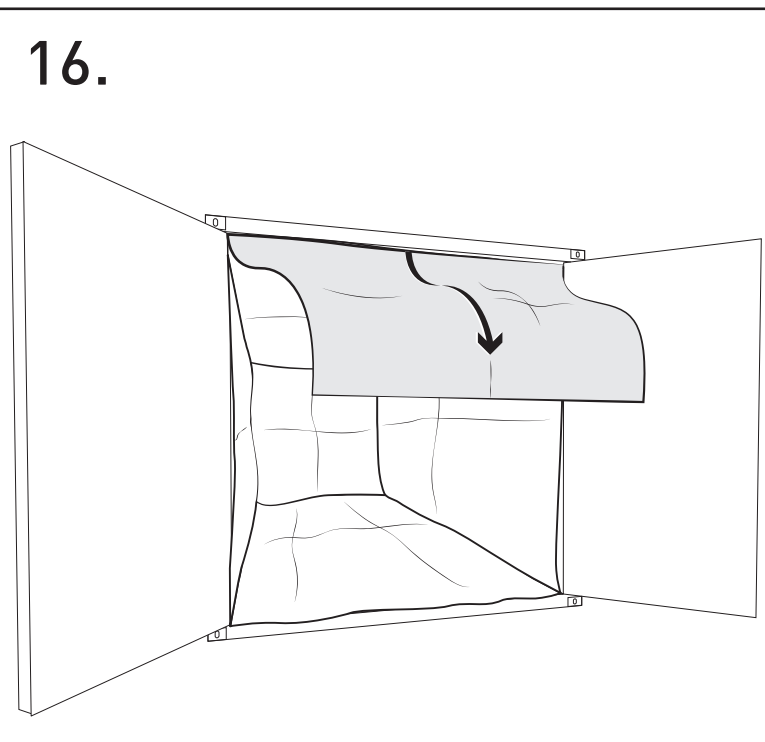
14.



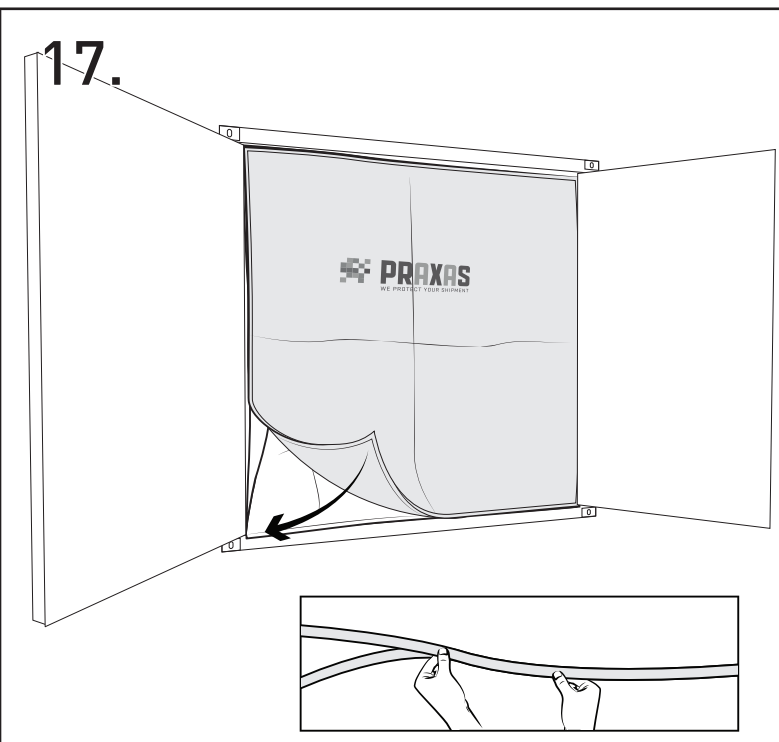
15.



16.



17.



18.

