

ARCTIKO CRYO 230

true cooling specialists



HIGHLY RELIABLE CRYOGENIC FREEZER WITH INDEPENDENT TRUE DUAL™ TECHNOLOGY PROVIDES THE BEST SECURITY FOR YOUR SAMPLES.

The cryogenic freezer offers a wide variety of research and long-term storage application for ultra low temperature scientific experiments, preservation of cells, DNA, bone material & bacteria.

► ENERGY EFFICIENT

ARCTIKO's CRYO 230 freezer only uses 31 kWh/24 h which is extremely low compared with competitors.

The independent TRUE DUAL™ technology ensures extremely low cost of ownership and noticeable impact on the runnings costs. The CRYO Series is a superior alternative to LN₂ based products, e.g. cryotanks. With no LN₂ needed, it operates solely on a power supply which lowers the operating costs.

► SUPERIOR PERFORMANCE

The dual cooling system is designed to keep the unit at -150°C, and with only one cooling system active the unit is still able to achieve -130°C – with an outstanding uniformity of +/-3°C.

The TRUE DUAL™ technology makes sure that you are provided with the best and most secure and reliable cryogenic freezers with excellent temperature stability and superior performance.

► MOST SECURE CHOICE

ARCTIKO's CRYO freezer eliminates the cost of LN₂ storage maintenance and avoids hazardous operation conditions.

ARCTIKO's CRYO freezers are specially developed to avoid cross contamination and to provide a more environmentally friendly economic alternative to the LN₂ cryotanks. Choosing this CRYO you will have one of the most reliable freezers available in the market.



TRUE DUAL™ TECHNOLOGY



FILTERLESS CONSTRUCTION



REDUCED NOISE LEVEL

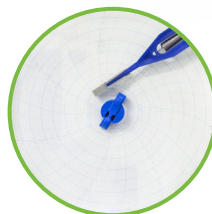


LOW ENERGY CONSUMPTION



Reaches -150°C in less than 6 hours!

CRYO 230*



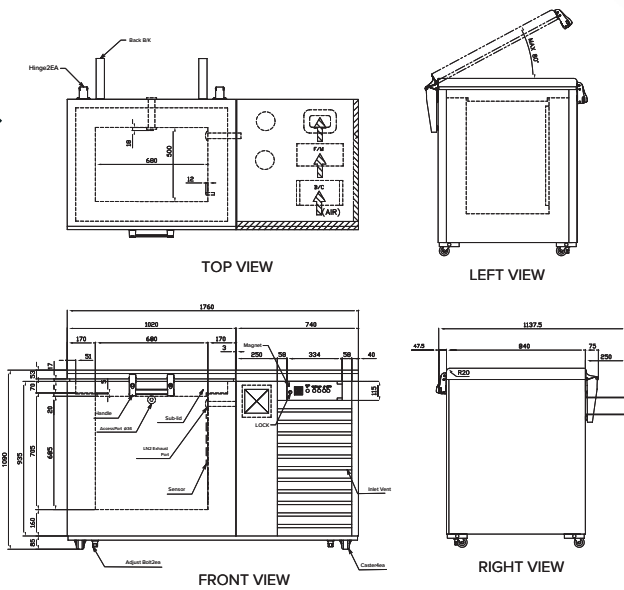
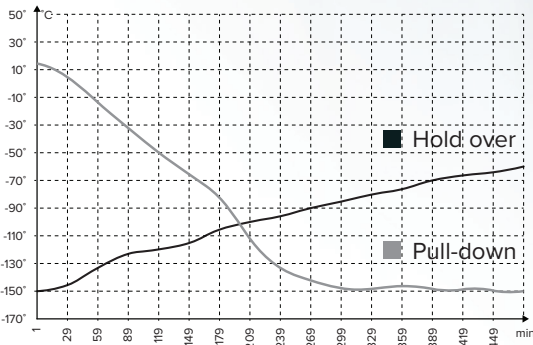
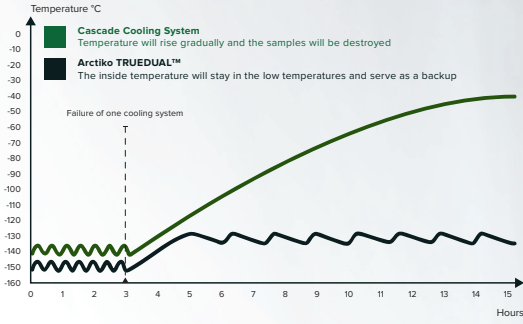
Temperature chart recorder for recording of temperature (optional).



User-friendly controller with access to all the necessary functions.



Key lock is standard feature in our CRYO 230. Placed on handle for optimal security of your samples.



The ARCTIKO CRYO 230 model supports following optional features:

- LN₂ backup
- GSM alarm module
- Racks & boxes
- Cryo gloves



GO WITH TRUE DUAL™ COOLING TECHNOLOGY FOR EXTRA SECURITY

MODEL		CRYO 230
Main specifications	Item code	DAI 0198
	Temperature range (°C)	-140 / -150
	Max. ambient temperature (°C)	30
	Capacity (L)	233
	Exterior dimensions WxDxH (mm)	1760x962,5/1137,5x1090
	Interior dimensions WxDxH (mm)	680x500x685
	Weight (KG)	391
	Insulation (mm)	170
	Cooling technology	dual system / static
	Controller model / probe type	TTM-004 / PT100
Power	Power supply (V)	3 x 400
	Frequency (Hz)	50
	Power consumption (kWh/24h)	33.5
	AMP (A)	4.7
	Power (Watt)	2021
	Horse power (HP)	2 x 11/2
Alarm functions	Alarm display as text - not codes	no
	Visual / acoustic alarm	yes / yes
	Power failure alarm	yes
	Adjustable high / low temperature alarm	yes / yes
	Open door alarm	no
	Probe failure alarm	yes
	Low battery alarm	no
	Compressor failure alarm	no
Data logging & external connection	Battery backup for alarms (approx. hrs.)	48
	Voltage free contact for remote alarm (e.g. GSM alarm module)	yes
	Electronic data logger	no
	RS 485 port	no
	USB port for software update & data download	no
Temperature chart recorder	optional	
Display features	Display type	LED display
	Number of optional reference probes	no
	Password protection for turning unit on / off	no
	Temperature graph on display	no
Other features	Automatic defrost	no
	Vacuum release port	yes
	Access port for external probe etc. (int. diameter mm)	20
	Light	no
	Lock with key	yes
	Castors (total pcs) / castors with brake (pcs)	4 / 0
	Fixed feet (pcs) / levelling feet (pcs)	0 / 2
	Sub lids / inner doors (pcs)	2
	Reversible door(s)	no
	Fixed shelves (pcs) / adjustable shelves (pcs)	no
Adjustable drawers (pcs)	no	
Baskets (pcs)	no	
Refrigeration & cabinet	Total capacity of 50 mm boxes 9x9 diddividers (pcs)	144
	Total capacity of 75 mm boxes 9x9 diddividers (pcs)	96
	Total capacity of 96 mm boxes 9x9 diddividers (pcs)	72
	Number of compressors	2
Shipping	Refrigerant	mix
	Interior cabinet material	stainless steel
	Exterior cabinet material	painted steel
	Colour (exterior cabinet)	ivory
	Foam type	polyurethane
	VIP vacuum insulated panels	no
Shipping	Shipping weight (kg)	563
	Shipping dimensions WxDxH (cm)	210x122x140
	Shipping volume (m ³)	3,59